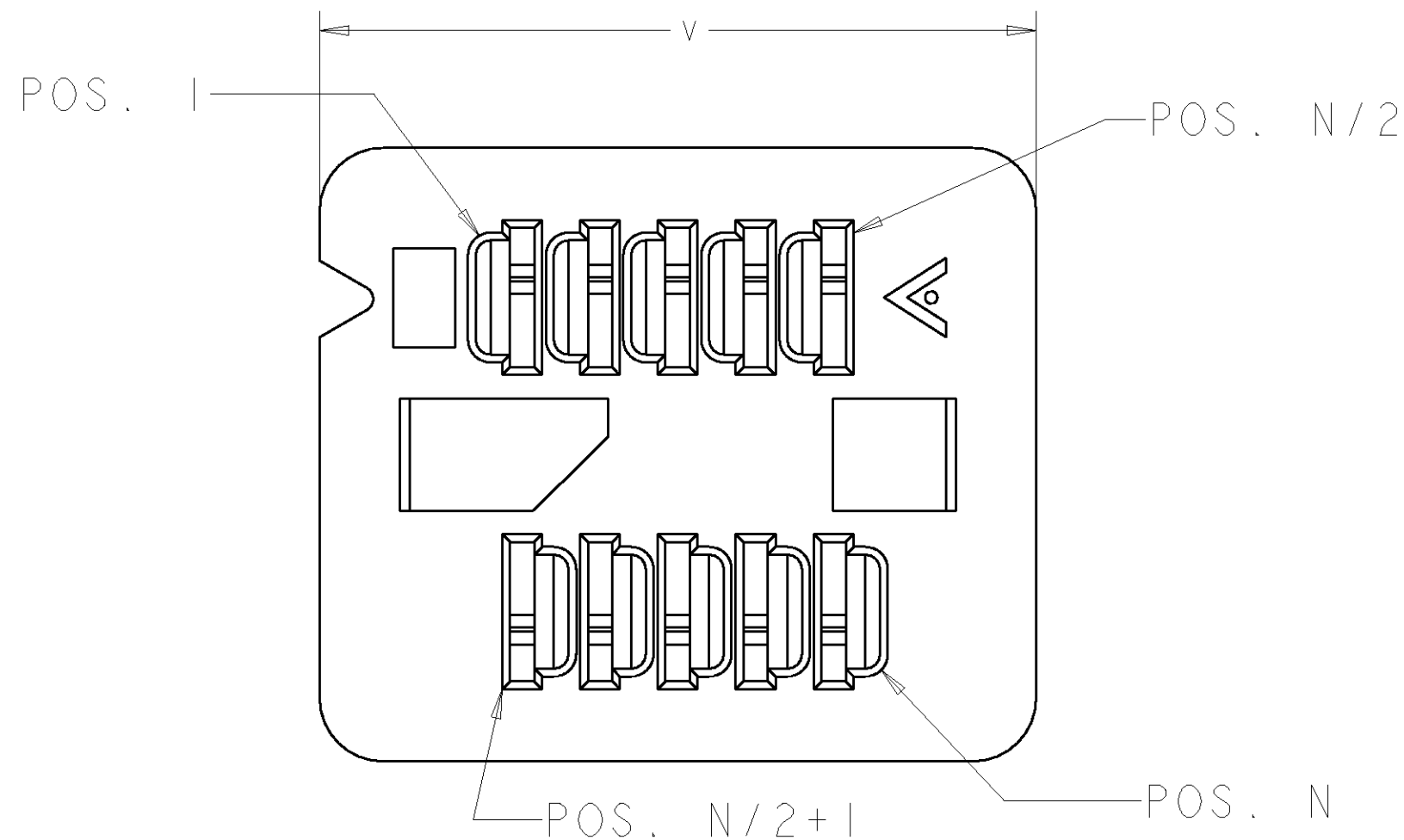
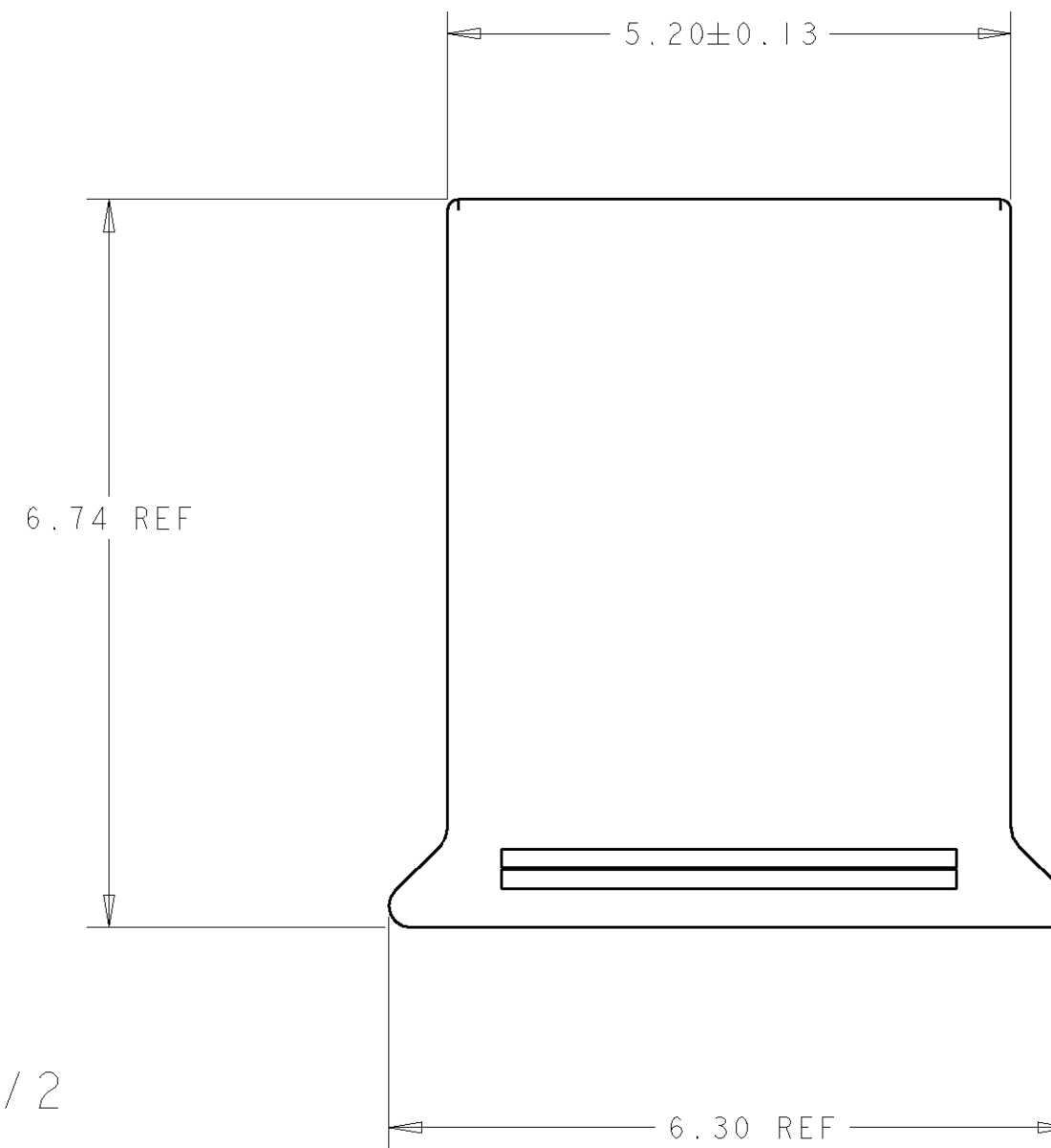
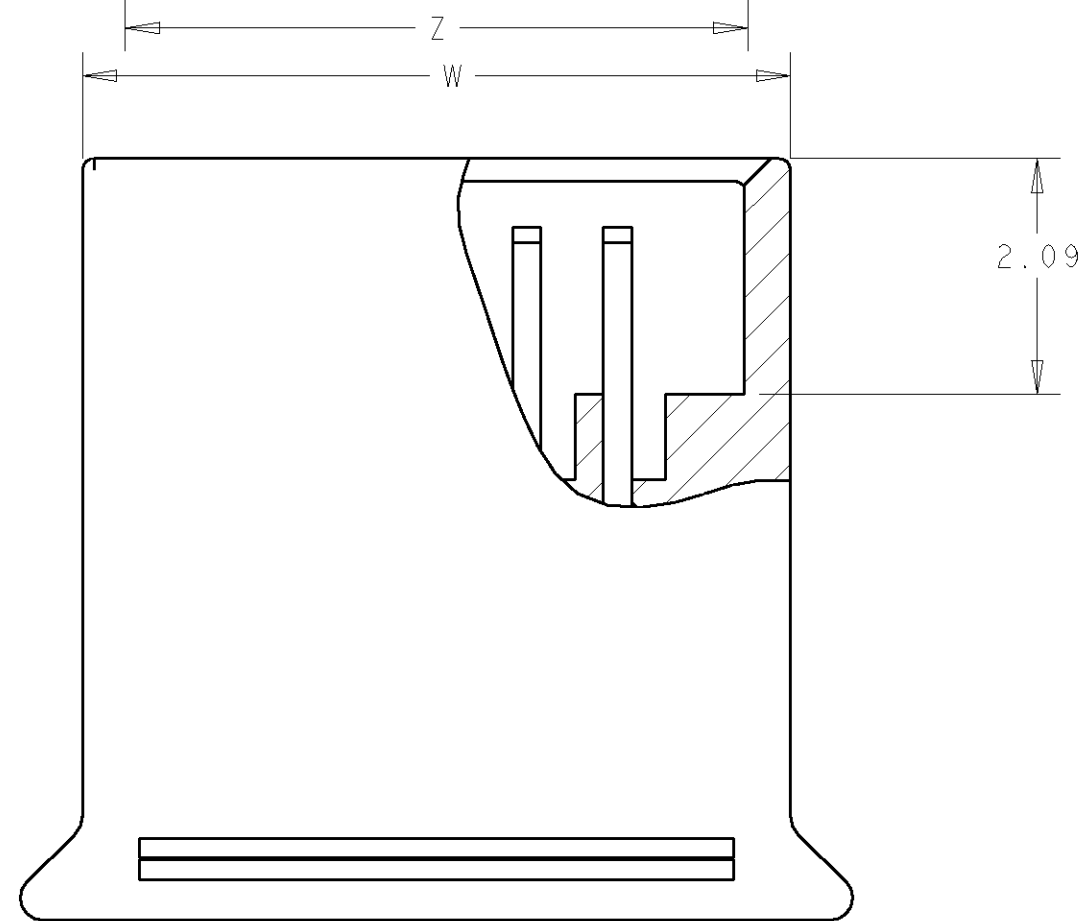
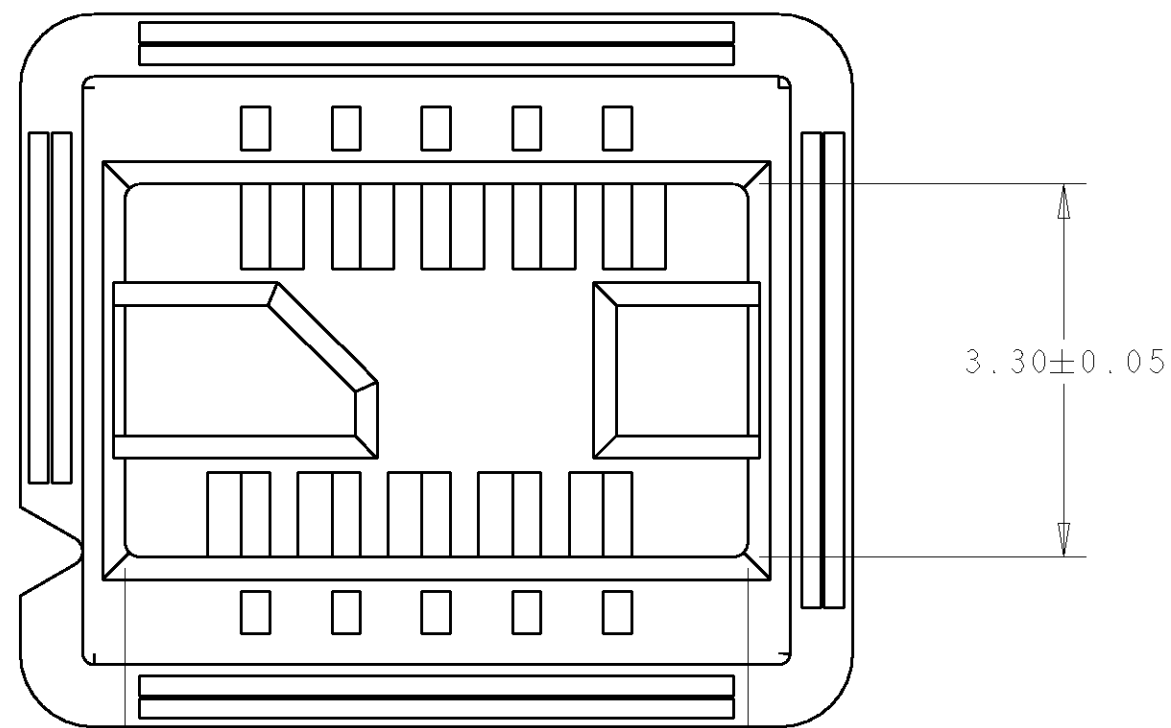


THIS DRAWING IS UNPUBLISHED. RELEASED FOR PUBLICATION .19  
 © COPYRIGHT 19 BY AMP INCORPORATED. ALL RIGHTS RESERVED.

LOC	DIST	REVISIONS					
		P	LTR	DESCRIPTION	DATE	DWN	APVD
AD	00		O	REV PER 063C-0326-01	13DEC01	RB	JM
			A	REV PER 063C-0367-03	27OCT03	RB	JM



UL94 V-0 RATED LCP, COLOR: NATURAL.

V	W	Z	NO. OF POS N	PART NUMBER
19.35	18.25	17.50	40	1-1375875-8
18.55	17.45	16.70	38	1-1375875-7
17.75	16.65	15.90	36	1-1375875-6
16.95	15.85	15.10	34	1-1375875-5
16.15	15.05	14.30	32	1-1375875-4
15.35	14.25	13.50	30	1-1375875-3
14.55	13.45	12.70	28	1-1375875-2
13.75	12.65	11.90	26	1-1375875-1
12.95	11.85	11.10	24	1-1375875-0
12.15	11.05	10.30	22	1375875-9
11.35	10.25	9.50	20	1375875-8
10.55	9.45	8.70	18	1375875-7
9.75	8.65	7.90	16	1375875-6
8.95	7.85	7.10	14	1375875-5
8.15	7.05	6.30	12	1375875-4
7.35	6.25	5.50	10	1375875-3
6.55	5.45	4.70	8	1375875-2
5.75	4.65	3.90	6	1375875-1

<small>THIS DRAWING IS A CONTROLLED DOCUMENT FOR AMP INCORPORATED. IT IS SUBJECT TO CHANGE AND THE CONTROLLING ENGINEERING ORGANIZATION SHOULD BE CONTACTED FOR THE LATEST REVISION.</small>		DWN <b>K. KOEGL</b> 03JUN2000 CHK <b>W. DAVIS</b> 03JUN2000 APVD -	<b>AMP</b> Tyco Electronics Harrisburg, PA 17105-3608
DIMENSIONS: mm 	TOLERANCES UNLESS OTHERWISE SPECIFIED: 0 PLC ± 1 PLC ± 2 PLC ±0.08 3 PLC ± 4 PLC ± ANGLES ± FINISH -	PRODUCT SPEC 108-1955 APPLICATION SPEC 114-13051 WEIGHT - CUSTOMER DRAWING	NAME AMPMODU MICRO INTERCONNECT PLUG HOUSING SIZE A2 CAGE CODE 00779 DRAWING NO. 1375875 SCALE 1.5:1 SHEET 1 OF 1 REV A